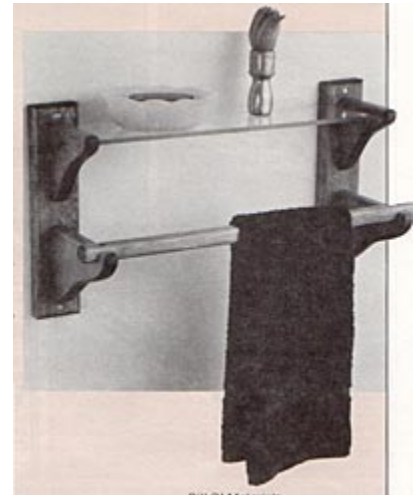


Project 10111EZ: Towel Bar with Glass Shelf

Projects that serve to beautify the kitchen and bath have traditionally been among our most popular pieces. An attractive wooden towel bar enhances and adds a measure of warmth to the bathroom, and the glass shelf provides handy storage for shampoo, soap, or what have you.



Towel Bar with Glass Shelf Materials List

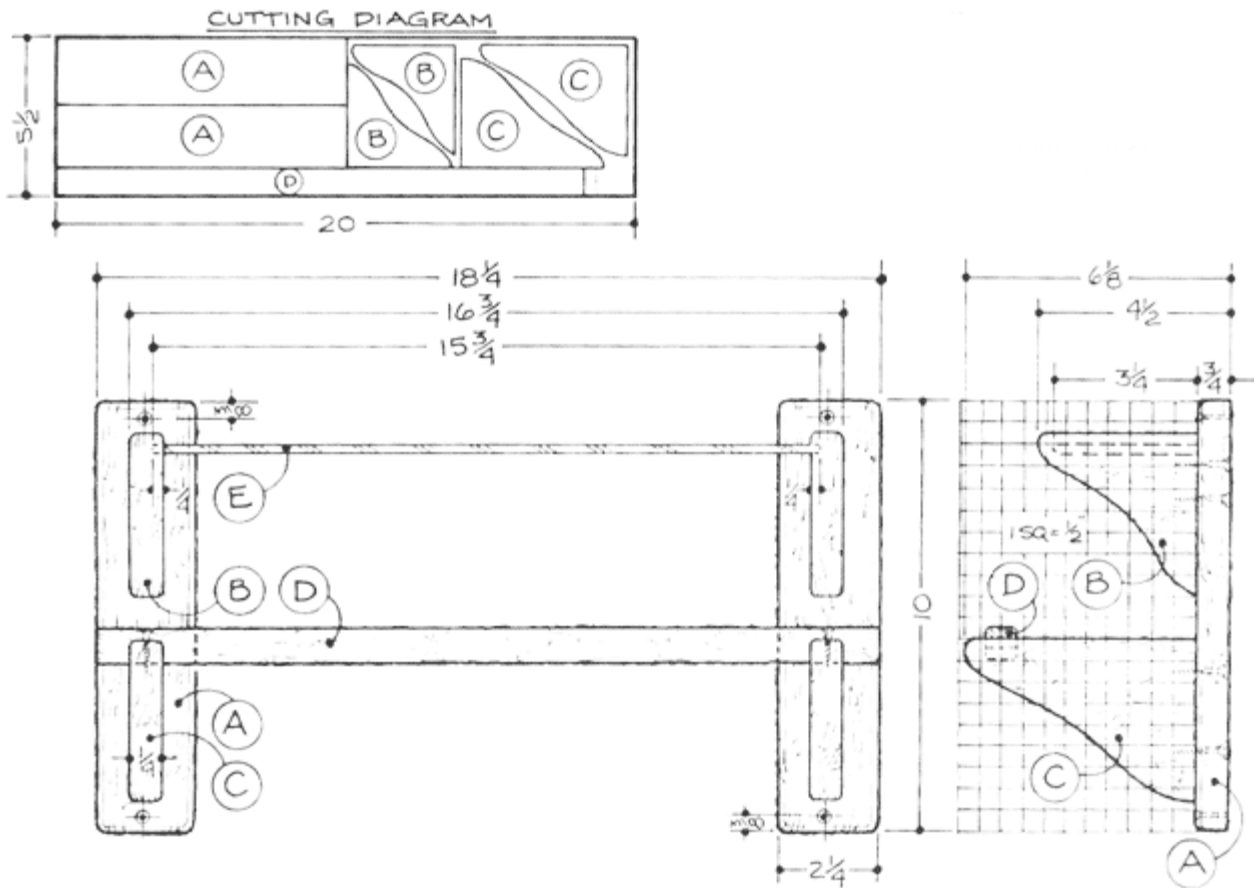
Part	Description	Size	No. Req'd
A	Mount	3/4" x 2-1/4" x 10"	2
B	Shelf Bracket	3/4" x 3-3/4" x 3-3/4"	2
C	Bar Bracket	3/4" x 3-3/4" x 5-3/8"	2
D	Towel Bar	3/4" x 3/4" x 18-1/4"	1
E	Glass Shelf	1/4" x 3-1/4" x 15-3/4"	1

Towel Bar with Glass Shelf Step-by-Step Instructions

1. Select a piece of 1" x 6" x 20" stock of your choice from which to cut all the wooden parts (A through D).
2. Cut out parts A through D.
3. Refer to the grid pattern and use the band or saber saw to shape the curved brackets (B and C).
4. Notch both the lower brackets and the towel bar (D) to a depth of 1/4" as illustrated, so they fit neatly together.
5. Use the router with a 1/4" straight bit to cut the 1/4" wide by 1/4" deep shelf grooves in the upper brackets.
6. Chamfer the edges of the mounts (A) and generously round the brackets and bar.
7. Use two screws, each countersunk so the heads are flush, to fasten each bracket to the mount.

8. Use a single brass oval head countersunk screw at either end of the towel bar.
9. Stain as desired.
10. Apply a penetrating oil to finish.
11. Mount the unit to the wall through four screw holes as shown, being sure to use screw anchors if fastening to sheet rock or drywall.

Towel Bar Complete Schematic



These plans were originally published in Volume 9, Issue 3 of *The Woodworker's Journal* (May/June 1985, page 44).